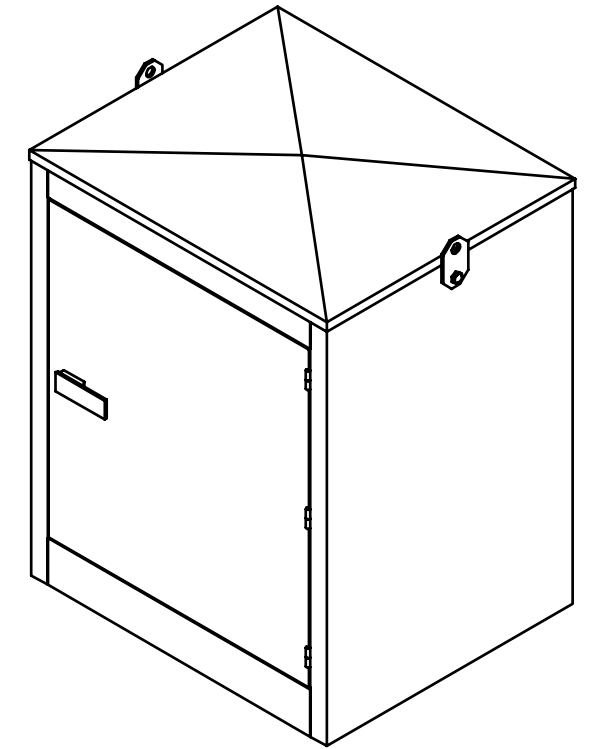
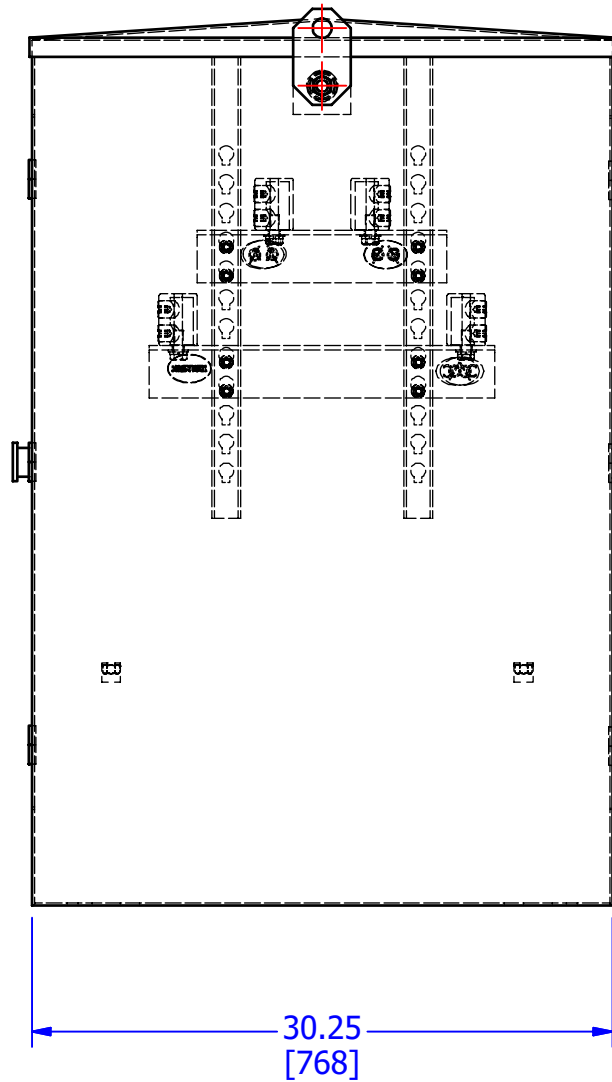
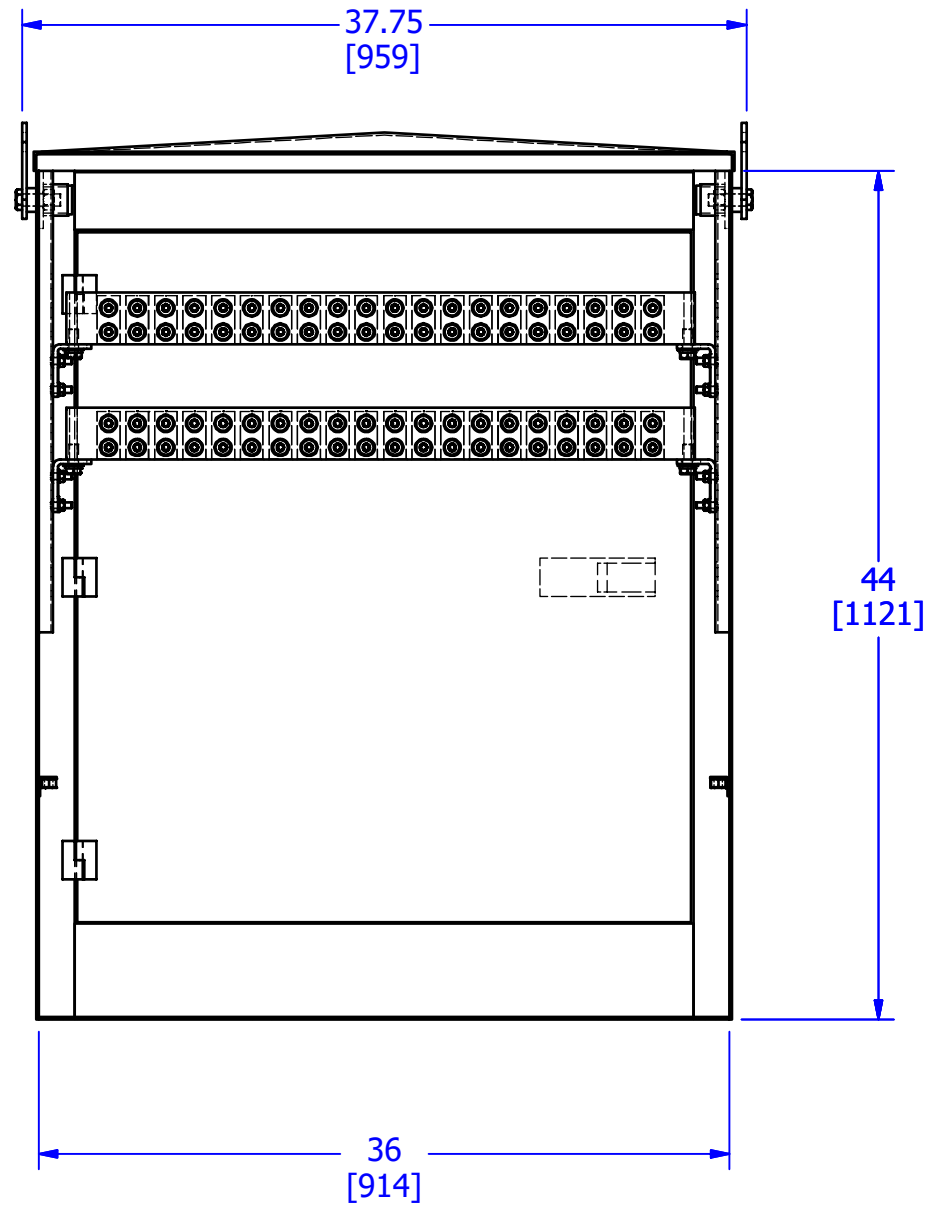


S.NO	CATALOG NUMBER	ENCLOSURE OPTIONS
1	LPTE20-1000	ALUMINUM BUS BARS AND CABINETS
2	LPTE20-1000C	PLASTISOL COVERS FOR BUS BARS



MATERIAL
ENCLOSURE: ALUMINUM
CONNECTORS: ALUMINUM

AMPERAGE RATING
5000 (COPPER WIRE)
4000 (ALUMINUM WIRE)

CONDUCTOR RANGE
1000KCMIL-1/0

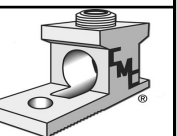
NUMBER OF CONDUCTORS: 20
CERTIFICATION: UL

						DRAWN BY: TS 05-07-19 CHECKED BY:	NAME OF PART: ENCLOSURE ASSEMBLY DWG NO: U22700007-S (CHARTED)	CAT. NO.: LPTE20-1000 B
A	NEW DRAWING CREATED		05-07-19	TS		DRAWING NOT TO SCALE		SHEET NO: 1 OF 1
REV.	DESCRIPTION	ECN	DATE	INIT.				

THIS INFORMATION IS PROPRIETARY TO CONNECTOR MFG. CO. AND IS NOT TO BE DISCLOSED OUTSIDE OF CONNECTOR MFG. CO. WITHOUT A CONFIDENTIALITY AGREEMENT



CONNECTOR MANUFACTURING CO.



HAMILTON, OHIO